



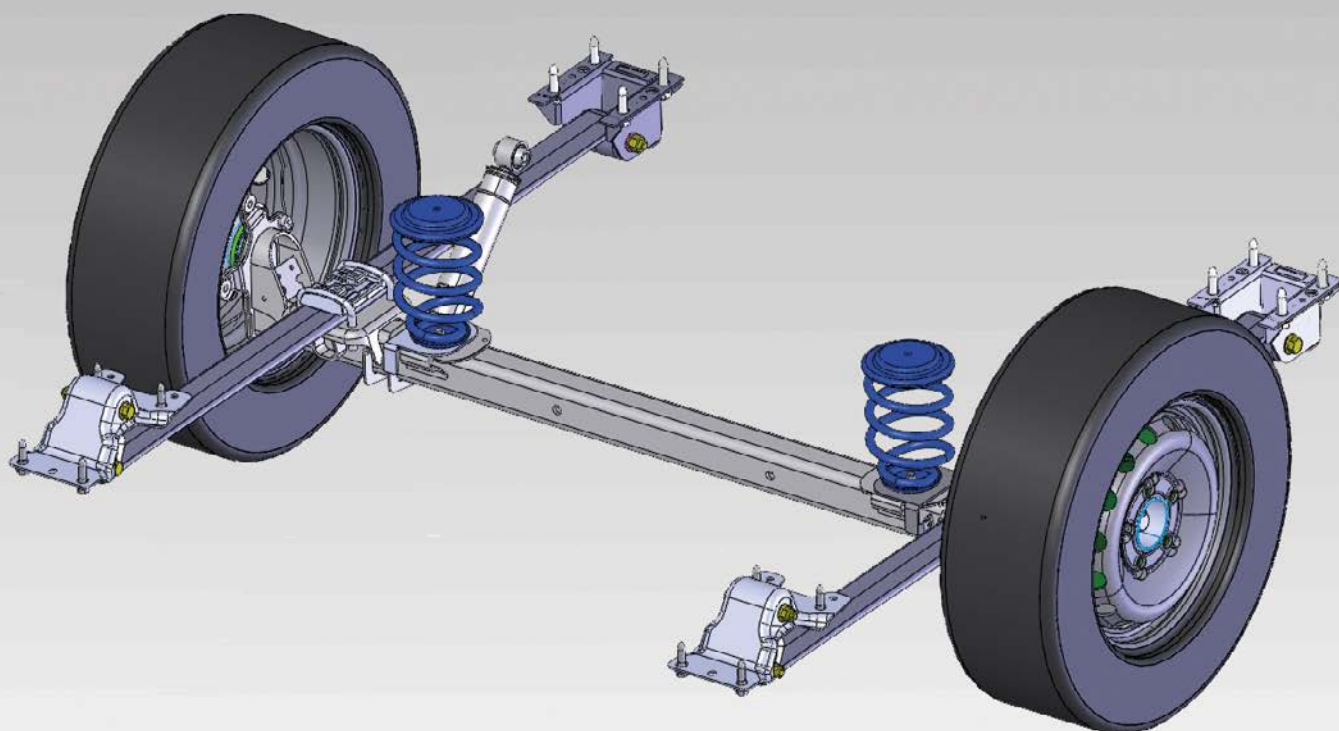
VB-COILSPRING

making everyday smoother



VB

airsuspension



- Increased comfort • Better driveability • More safety



GENERAL INFORMATION

FRONT AND REAR AXLE

PRODUCT SHEET

PRODUCT SHEET

Fitting reinforced coil springs is a non-adjustable solution for suspension problems. A helper spring or replacement coil spring is used on vehicles that already have coil springs. An auxiliary coil spring is fitted next to the existing leaf springs. These reinforced springs will normally ensure that the vehicle returns to its original ride height (if not higher). Thus increasing the suspension travel and improving stability.

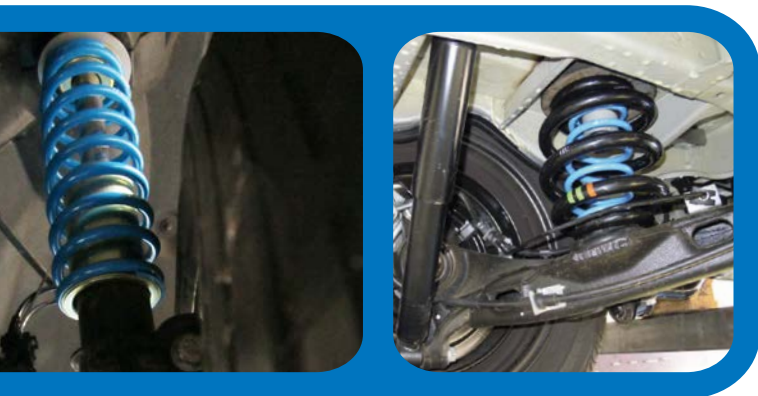
With our coil springs, we distinguish between replacement springs and helper springs. Both the replacement springs and helper springs are coil springs. Below is a brief explanation of the difference between these coil springs.

Replacement spring

As the name suggests, the original coil spring is removed and replaced by the replacement spring, i.e. by a reinforced spring.

Helper spring

The original leaf or coil spring is retained when a helper spring is fitted. The helper spring is installed alongside the original. By installing this helper spring, the original suspension is reinforced.



Applications

The VB-CoilSpring can be used for a wide range of situations and applications, including:

- Ambulances
- Commercial vehicles
- Motorhomes
- Animal transport
- Offroad vehicles
- Emergency rescue vehicles
- Service vehicles

It goes without saying that the system can also be adapted to other applications.

Dealer:

Replacement spring
- front axle -



Fiat Ducato X250

Replacement spring
- rear axle -



Volkswagen T5

Helper spring
- rear axle -



Volkswagen T5

Benefits of the VB-CoilSpring

- Supplied as a complete mounting kit
- Minimises sagging
- Increased comfort
- Increased stability
- Stronger suspension
- Less crosswind sensitivity

Coil springs available in our commercial vehicle range



Citroën
Jumper



Fiat
Ducato



Ford
Transit



Mercedes
Sprinter



Nissan
NV400 - Primastar



Opel / Vauxhall
Vivaro - Movano



Peugeot
Boxer



Renault
Trafic - Master



Volkswagen
Transporter - Crafter

Please contact us if you cannot find your vehicle on the list.
We will almost certainly have a solution for you.